

# PERIPHERALS

## ECL RECESSING BEZEL



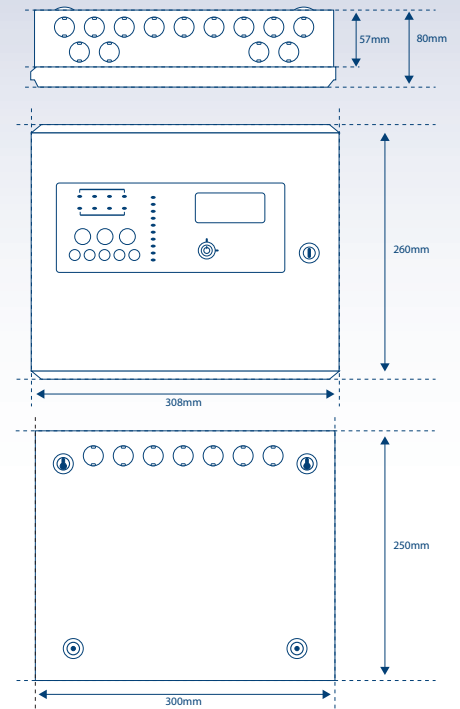
### Use With:

- Eclipse
- Esento Marine 2-4
- AlarmSense (ALS)
- XLEN Repeater Panels
- AOV-3

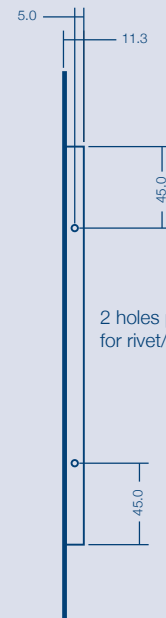
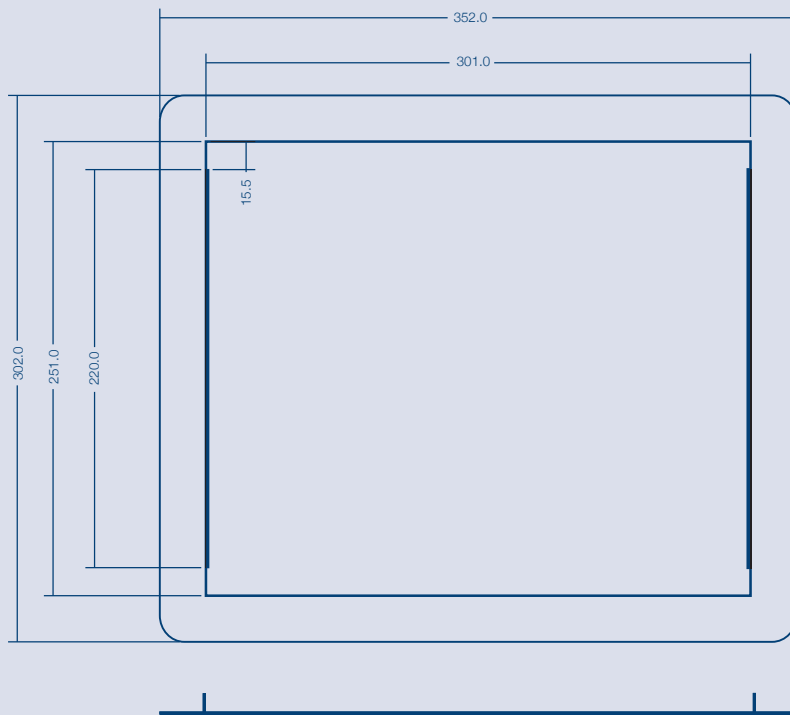
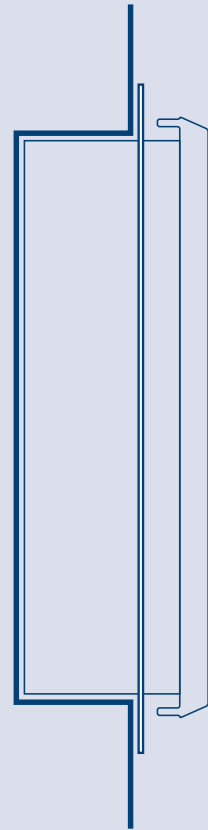
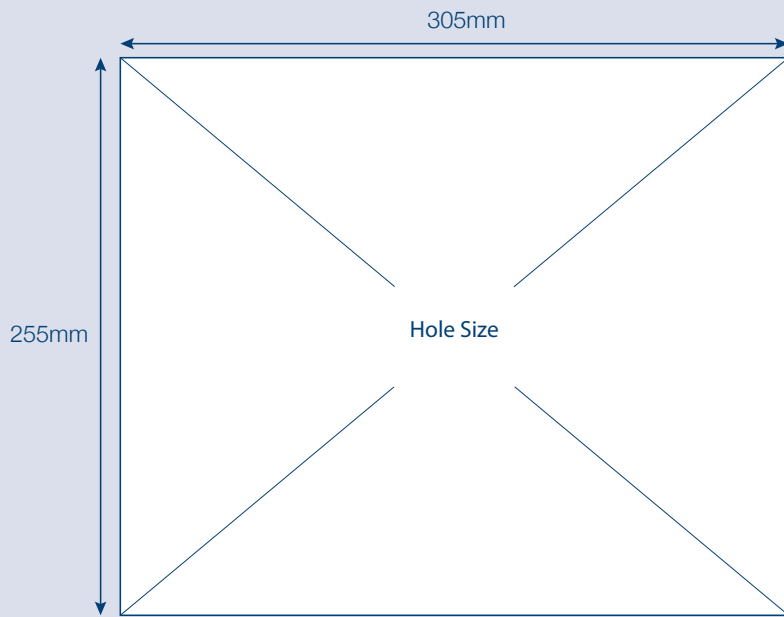
### Order Code

FMK-ECL

Recessing bezel



**+44 (0) 1895 546205**



2 holes per side 3.55mm  
for rivet/screw to back box

RADIUS 15mm



Unit 3, Horton Industrial Park, West Drayton,  
UB7 8JD, United Kingdom

Tel: +44 (0) 1895 546205  
Direct Sales Line: +44 (0) 1895 546205

Email: [info@haes-tech.com](mailto:info@haes-tech.com)  
Web: [www.haes-tech.com](http://www.haes-tech.com)