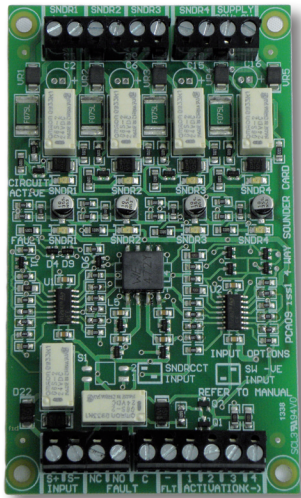


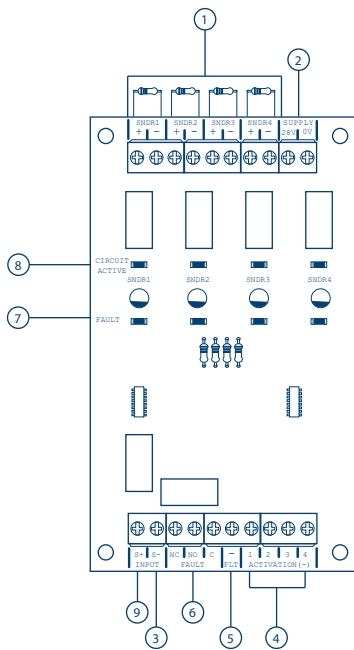
# PERIPHERALS

## SOUNDER CIRCUIT EXTENSION CARD



### Order Code

SNDEREXT-4	4 way sounder circuit extension card
------------	--------------------------------------



1	Monitored sounder circuits, fused @ 0.75 amp, 4K7 end of line resistor
2	28v dc supply input
3	Switched -ve input for common sounder circuit ringing (subject to link from 28v supply to S+)
4	Switched -ve inputs for activation of individual sounder circuits 1 - 4
5	Switched -ve common fault output
6	Fault relay. NO/NC changeover (fail safe)
7	Sounder circuit fault LED indicators 1 - 4, open or short circuit
8	Sounder circuit active LED indicators 1 - 4
9	S+, S-, sounder circuit drive input

- Provides 4 monitored conventional sounder circuits
- Suitable for most makes of conventional control panels utilising existing sounder circuit
- Individual sounder circuits can be activated using switched -ve inputs
- Card fits inside control panel
- Includes common fault output and NO/NC fault relay
- Circuit active and fault LEDs

**+44 (0) 1895 424505**