

TRX0.7A-24

24 Volt Regulated Power Supply

Suitable for applications requiring a simple regulated 24vdc power supply where the charging of standby batteries is not required.

Enclosure: 18SWG (1.2mm) mild steel box & lid, 4 x 20mm knockouts

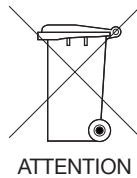
Dims: 165W x 95H x 40D mm

Supply On LED indicator



Installation

1. Do not mount where unit may be contaminated by liquids. Ensure cabinet is securely fixed to a firm surface via the four dimpled fixing holes provided.
2. Ensure the ventilation slots at the top and bottom of the box are not obscured. Note:- if obscuring is unavoidable, derate the output current by 20%.
3. Supply mains voltage by suitable switched spur unit.
4. Ensure mains supply is isolated before applying any secondary connections.
5. Use suitable cable glands in knockouts provided.
6. Check output voltage is in range using suitable volt meter.
7. Voltage can be adjusted, if required, from 22 - 27.6v
8. Ensure any equipment connected to this apparatus is suitably suppressed.



Current Ratings

The unit has a 'continuous current' rating and 'maximum current' rating. The maximum current rating should not be used for periods exceeding 30 minutes.

Model	Volts dc	Cont Current	Max Current	Power Rating	Ripple	Overload
TRX0.7A-24	24	0.75 amp	1.0 amp	24W	2/20MV P-P	115-135%

Temperature Rating: -25oC to + 70oC. Humidity 20-90% RH non condensing.

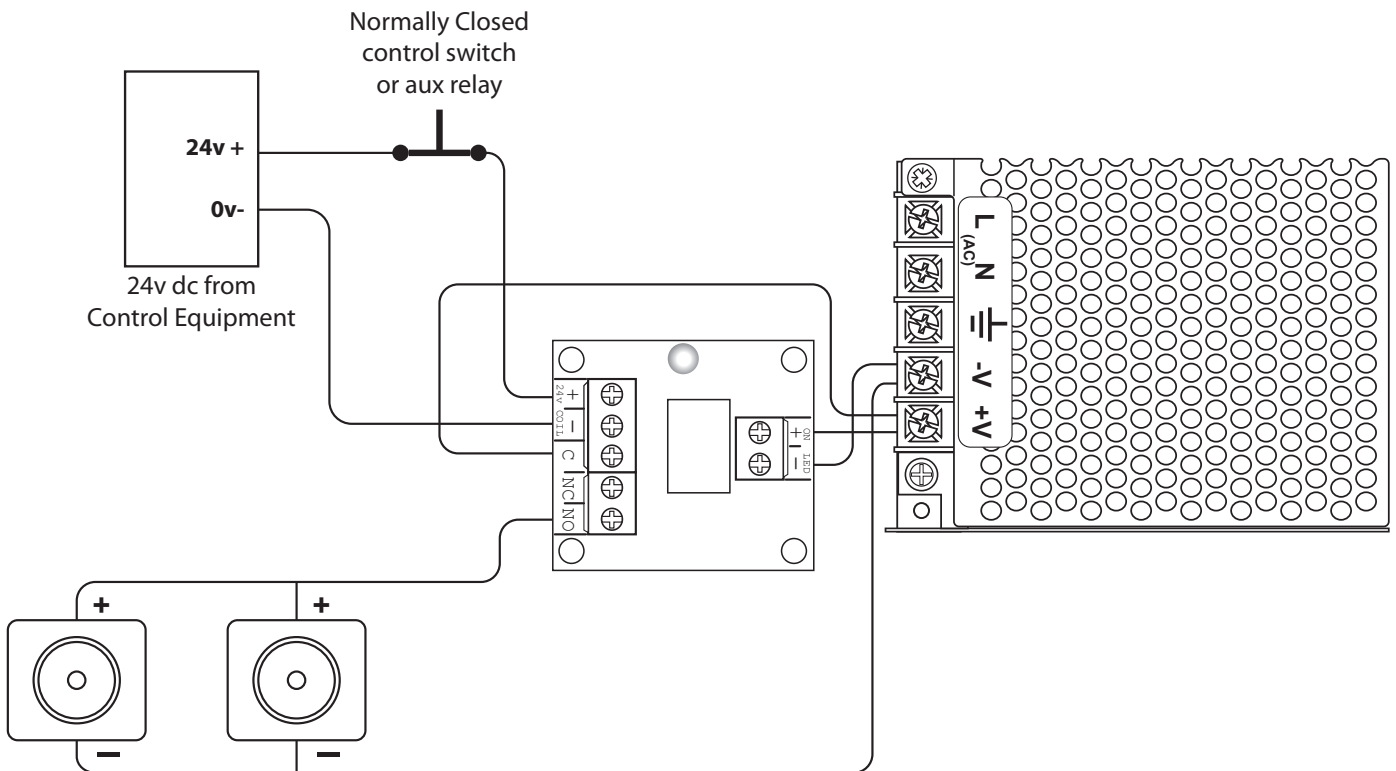
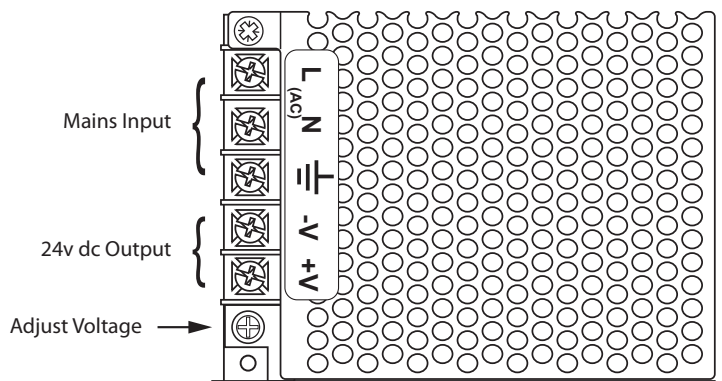
Safety: CE approved

EMC: EN55022 Class B

Input Voltage: 100-245vac, 50-60Hz

Input Current: 0.7A : 0.55A / 230vac

Relay: Single pole volt free change over contact with suppressed and polarised control coil input (24vdc). Contacts rated at 3amp, 50v



24v dc maintained magnetic door retainers

General wiring schematic showing connections to magnetic door retainers. TRX units are suitable for many other applications, configure as required.