

## TRX

### 0.7A 24v dc regulated power supply

The Haes 0.7A 'TRX' transformer rectifier power supplies are suitable for applications requiring a simple regulated 24vdc supply, where the charging of standby batteries is not required.

Typical applications include door retaining magnets, electromagnetic door closers or analogue system interface modules.

The power supply units come complete with an integral load switching relay and are enclosed in a mild steel cabinet with a 'Supply On' LED indicator and 20mm knockouts for cable entry.

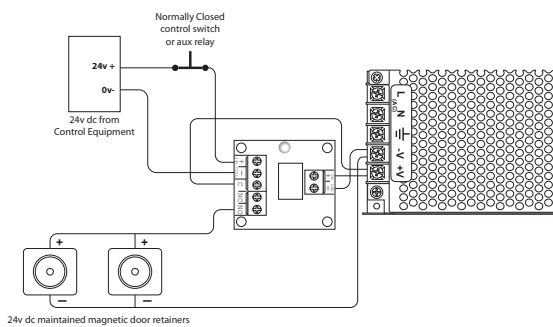


\* 165mm x 95mm x 40mm \*

## Features

### Main Features

- High efficiency switched mode power supplies
- Mini enclosure
- Regulated 24v dc supply output
- Integral load switching relay
- Wide mains input voltage range
- Overload protected



### Technical specifications

Enclosure	1.2mm Mild Steel IP34. Colour ref: MW334E Interpon powder coat
Cable Entry	Via 20mm knockouts located in the top and rear of the cabinet
Dimensions	165mm W x 95mm H x 40mm D
Input Voltage	100-245vac, 50-60Hz
Input Current	0.55A / 230vac
Relay	Single pole volt free changeover, 24vdc coil
Temperature Rating	-25oC to +70oC. Humidity 20-90% RH non condensing

Output Voltage dc	Max Current	Max Continuous Load	Power Rating	Ripple	Overload
24	1.0A	0.7A	24W	2/20MV P-P	115-135%

### Model

TRX0.7A-24

TRX power supply, 0.7 amp continuous load rating