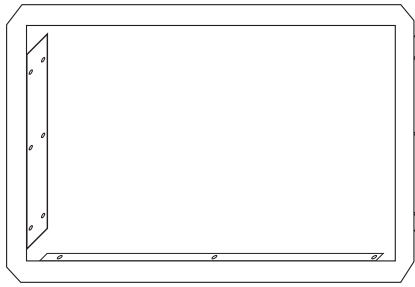


Fitting Instructions for FMK-F-S Recessing Bezel For Small Cabinet Fusion Control Panels

Kit Includes:



1 x bezel frame



x12

M3 x 12 countersunk screw



x12

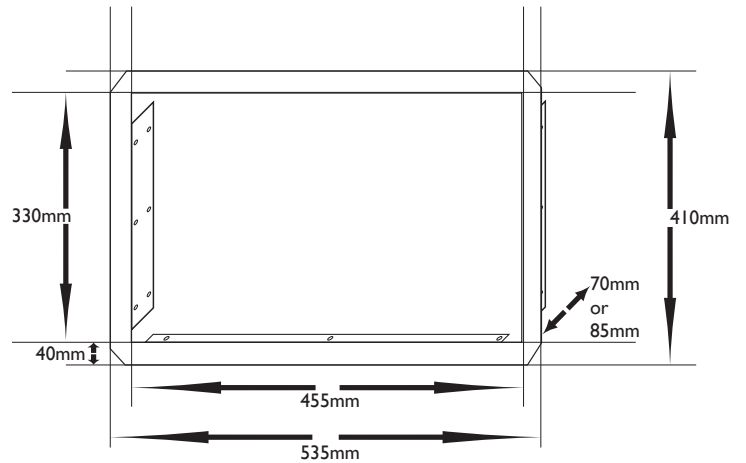
M3 nut



x12

M3 shakeproof washer

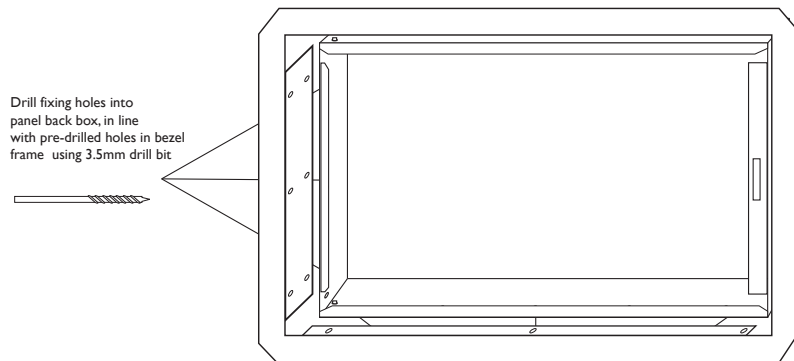
Dimensions:



Recommended hole cut out size:

455mm wide x 330mm high by 70 deep (or 85 deep)
This includes the 2mm clearance for the bezels.

Special attention must be made to ensure the bezel is fitted behind the door hinges with enough clearance so as to allow the door to open freely.



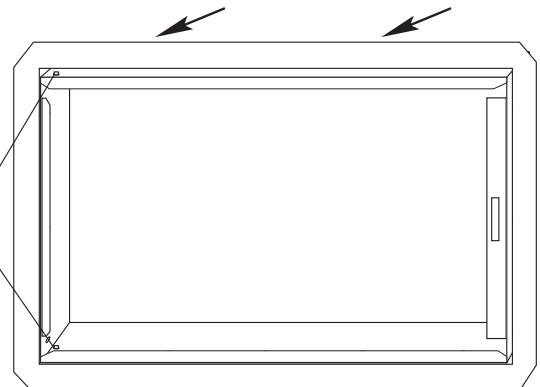
Drill fixing holes into panel back box, in line with pre-drilled holes in bezel frame using 3.5mm drill bit



Fix bezel to back box using the nuts and bolts (supplied)



Slide bezel onto back box from behind and fix behind door hinges so as to allow door to open freely



If the back box has already been fixed into the wall it is possible to fit the bezel from the front. This, however, will mean drilling fixing holes from the inside of the cabinet and fixing with self tapping screws (not supplied).

Alternatively the bezel could be glued directly to the wall using a suitable fixing agent.

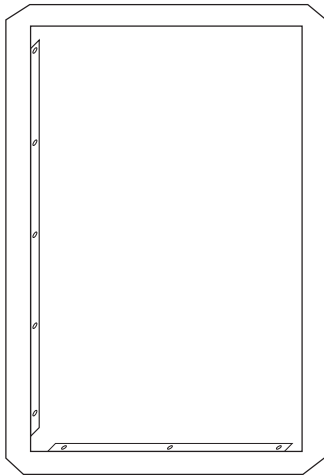
A 1mm gap around the backbox must be left to accommodate the fixing bracket.



www.haes-systems.com

Fitting Instructions for FMK-F-L Recessing Bezel For Large Cabinet Fusion Control Panels

Kit Includes:



1 x bezel frame



x12

M3 x 12 countersunk screw



x12

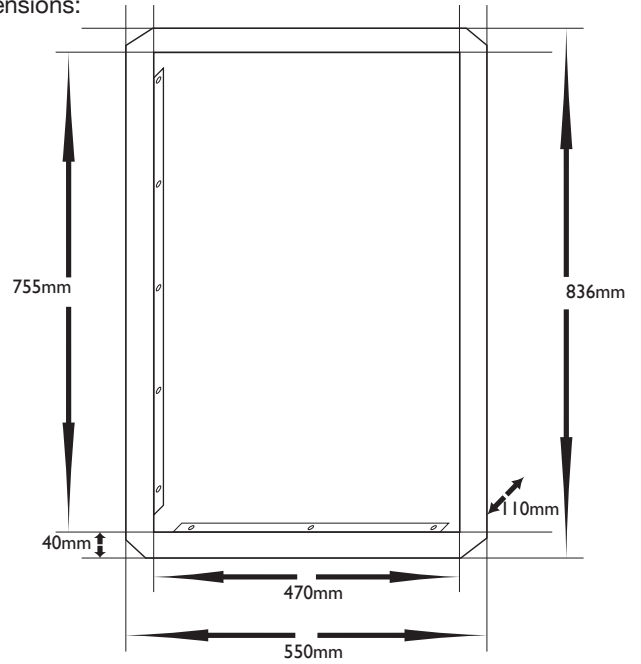
M3 nut



x12

M3 shakeproof washer

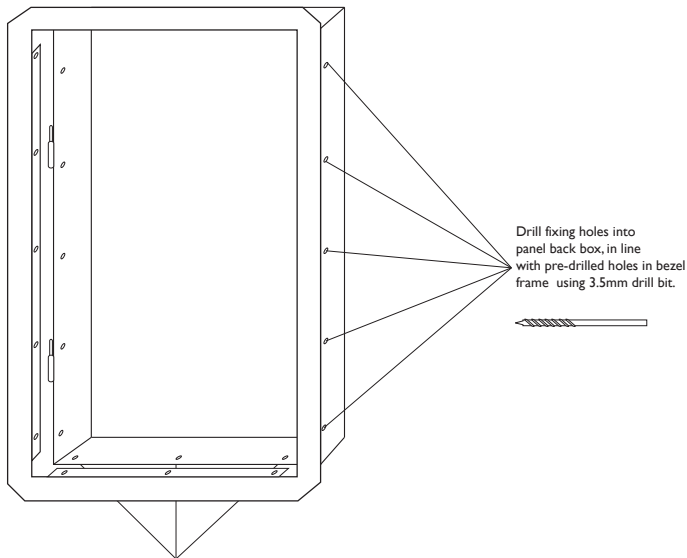
Dimensions:



Recommended hole cut out size:

470mm wide x 755mm high x 110mm deep.
This includes the 2mm clearance for the bezels.

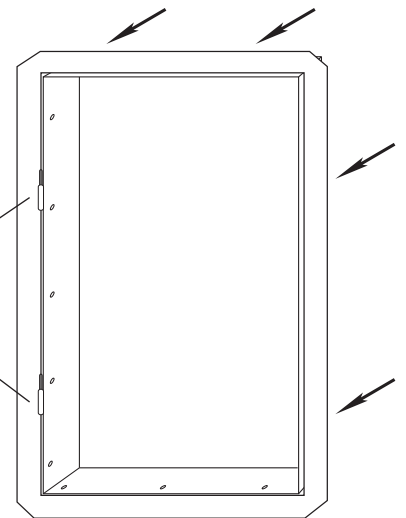
Special attention must be made to ensure the bezel is fitted behind the door hinges with enough clearance so as to allow the door to open freely.



Drill fixing holes into panel back box, in line with pre-drilled holes in bezel frame using 3.5mm drill bit.



Slide bezel onto back box from behind and fix behind door hinges so as to allow door to open freely



Fix bezel to back box using the nuts and bolts (supplied)



If the back box has already been fixed into the wall it is possible to fit the bezel from the front. This, however, will mean drilling fixing holes from the inside of the cabinet and fixing with self tapping screws (not supplied).

Alternatively the bezel could be glued directly to the wall using a suitable fixing agent.

A 1mm gap around the backbox must be left to accommodate the fixing bracket.



www.haes-systems.com