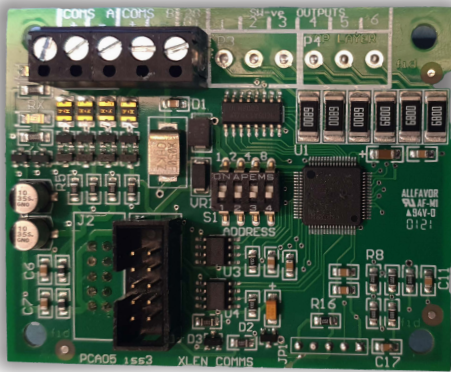


PERIPHERALS

ESPRIT NETWORK COMMUNICATIONS CARD



- Simple plug in communication card
- Allows networking of up to 8 control panels
- Add up to 8 repeater panels
- 2 core cable between cards
- Fully monitored fault tolerant network or legacy radial circuit wiring

Technical Specifications

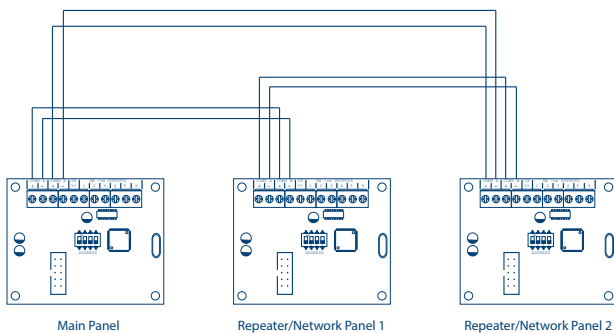
Standby Current	5.2mA
Cable Requirements	2 core 1.0mm (min) fire rated cable
Comms A - B	RS485 comms, fused @ 20mA
Supply Output	28v, fused @ 500mA

Order Code

ESA-3002	Network Comms Card
----------	--------------------

+44 (0) 1895 424505

Fault Tolerant Loop Wiring



Radial/Legacy Wiring

