

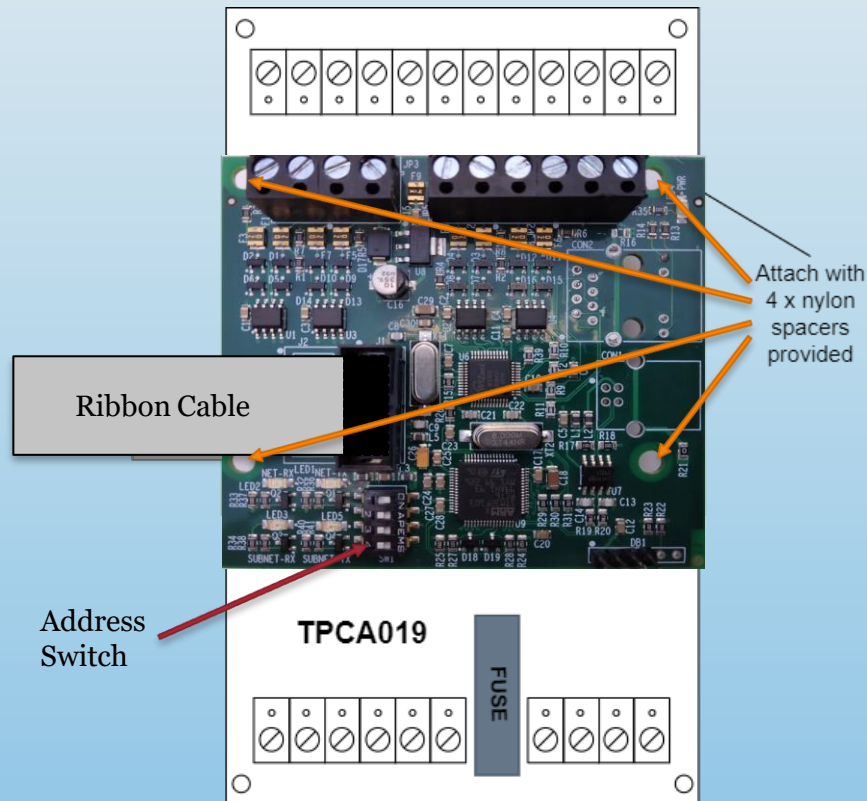


Esprit addressable BMS network setup tutorial





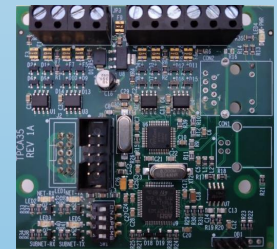
TPCA035 BMS Network card installation





TPCA035 BMS Network card installation

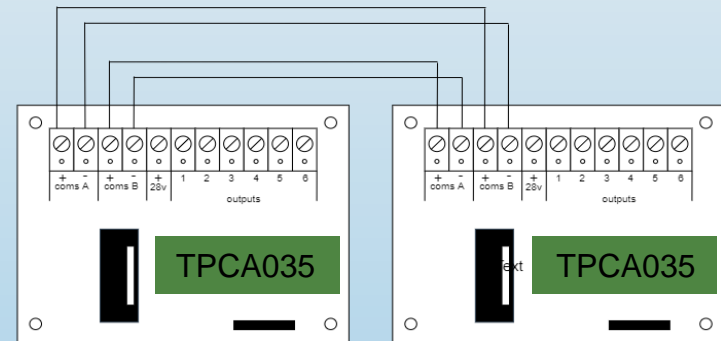
- Ensure the mains power is switched off and batteries are disconnected before proceeding.
- Remove the ribbon cable connector from the socket “COMMS A” located on the middle, left side of the PSU (TPCA019) card.
- Fit the TPCA035 BMS network card into the “COMMS A” socket on the PSU card and support the card using the four supplied nylon pillars.
- Reconnect the ribbon cable connector into the socket on the TPCA035 BMS Network card.
- Set the address DIL switches to the required value.
- Address 0 = Master panel.
- Addresses 1 to 7 = Slave panels.
- Addresses 8 to 15 = Repeaters.
- Power up the panel and execute the LEARN procedure to add the BMS network card to the panel configuration.



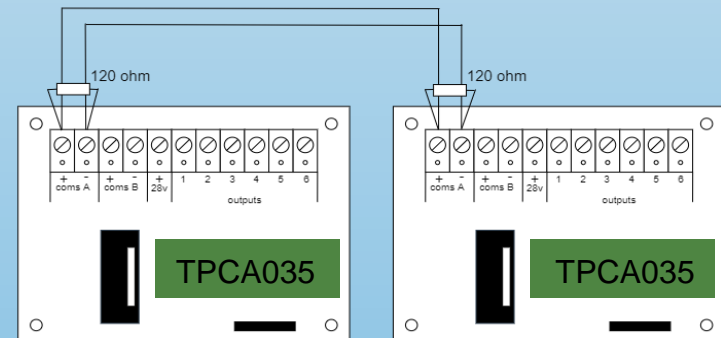
Fault tolerant & legacy wired networks

- Fault tolerant connections will require 2 x 2 core fire rated cables.
- Fault tolerant connections are wired from 'coms A' positive & negative terminals on the master panel to the 'coms B' positive & negative terminals on next slave / repeater etc. The last panel connections will be from the 'coms A' positive & negative terminals back to the 'coms B' positive & negative terminals on the master panel in a loop configuration.
- Legacy mode connection requires a single 2 core fire rated cable.
- Legacy mode connections are from the 'coms A' positive & negative terminals to 'coms A' positive & negative terminals on next slave / repeater.
- Legacy mode networks should have 120 ohm termination resistors fitted to both ends of the network as per diagram.

Fault tolerant connection



Legacy connection





Network Programming

- Step 1 – select 'config' menu
- Step 2 – access code is 3333
- Step 3 – select 'learn' option
- Step 4 – The system will now perform the learn routine and will display the presence of the newly fitted network card and any network panels / repeaters found.
- Step 5 – Press the 'return' button to accept.



**For more online videos please visit our
website at WWW.haes-tech.com**